

# GULLWING

T R A N S I T I O N S



A Series of Aesthetic Mounting Options  
for the Gardco Gullwing Luminaires



GARDCO  
LIGHTING

# GULLWING TRANSITIONS

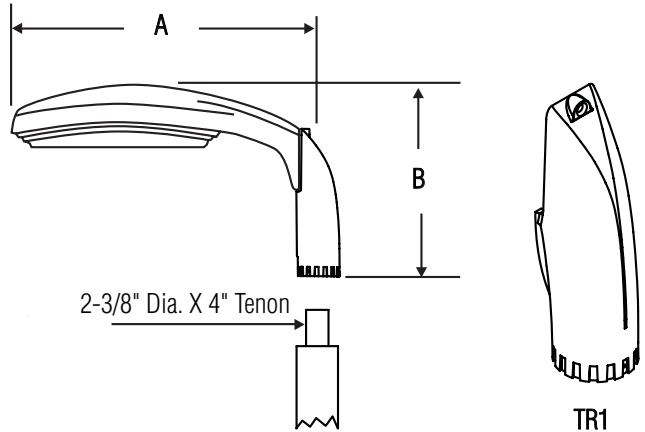
Gardco Lighting is pleased to offer three highly tooled, diecast transitional mounting components. These transitions are available for both the pedestrian scale G13 and the larger, high performance G18. The Single Transition is designed to unify the luminaire to the pole. This adds a touch of class, especially when used with lower mounting heights. By utilizing the Twin Transition, you can see how the Gullwing earned her name. When mounted back to back, the graceful lines add a sleek, finished look to the traditional pole mounted luminaire. The high performance optics of the Gullwing make it a natural for use on streets and roadways. The new Gullwing Mast Arm Transition makes retrofit to existing mast arms simple and practical, while providing cutoff performance with architectural style.

## SINGLE TR1

The Single Gullwing Transition (TR1) mounts to a 2-3/8" X 4" top tenon. Specify a pole with a 3.00" O.D. (with G13) or a 4.50" O.D. (with G18) for a smooth transition.

### Dimensions

	A	B
<b>G13</b>	23.16" 58.83 cm	16.00" 40.64 cm
<b>G18</b>	33.50" 85.09 cm	20.80" 51.77 cm

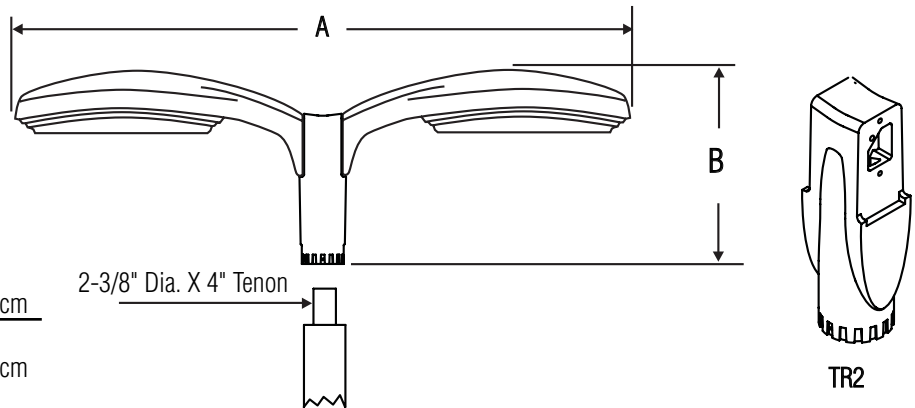


## TWIN TR2

The Twin Gullwing Transition (TR2) also mounts to a 2 3/8" X 4" top tenon. Specify a pole with a 3.00" O.D. (with G13) or a 4.50" O.D. (with G18) for a smooth transition.

### Dimensions

	A	B
<b>G13</b>	46.38" 117.81 cm	16.00" 40.64 cm
<b>G18</b>	67.16" 170.59 cm	20.80" 51.77 cm



## MAST ARM MF

The Gullwing Mast Arm Transition (MF) slips over a standard 2-3/8" davit arm.

### Dimensions

	A	B
<b>G13</b>	22.54" 57.25 cm	8.00" 20.32 cm
<b>G18</b>	31.50" 80.01 cm	9.50" 24.13 cm

